

PSLC-L

PNEUMATIC SHAFT LOCKING CLAMPS

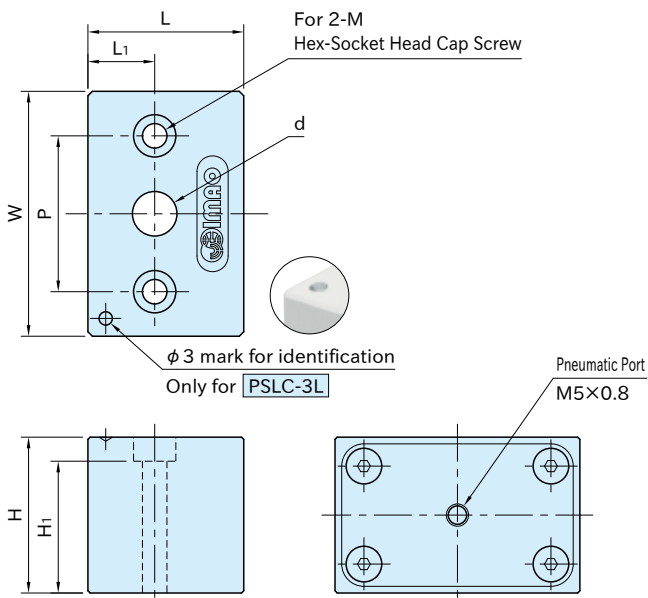


(Single Acting)

★Key Point

For automation of shaft locking.
Low pressure type also available.

Body, Clamp Shaft	Cover
A5052 aluminum Anodized	SUS304 stainless steel



Part Number		d	L ₁	L	W	H	M	H ₁	P	Weight (g)	Suitable shaft dia. (h11)
Low Pressure Type	Standard Type										
PSLC08-3L	PSLC08-5L	8	14	35	55	35	M5	29.5	35	220	ϕ 8
PSLC10-3L	PSLC10-5L	10									ϕ 10
PSLC12-3L	PSLC12-5L	12									ϕ 12
PSLC16-3L	PSLC16-5L	16	15	40	63	40	M6	33.5	45	300	ϕ 16
PSLC20-3L	PSLC20-5L	20									ϕ 20

Feature

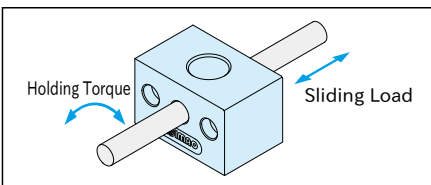
- Spring clamping and pneumatic unclamping mechanism prevents the decrease of clamping force by air leakage.
- Available for remote and multiple operations.
- Perfect for use in limited space.
- **PSLC-3L** type can be used with 0.3 MPa air pressure.

Note

- Clamping/unclamping operations must be performed with the shaft not in motion. Cannot be used as a brake of a moving shaft.
- Do not force the clamped shaft to move.
- Do not operate frequently without the shaft.
- Manual unclamping is not possible.
- The $\phi 3$ identification mark is used to distinguish **PSLC-3L** from **PSLC-5L**.

Technical Information

Part Number	Operating Air Pressure (MPa)	Holding Torque (N·m)	Sliding Load (N)
PSLC08-3L	0.3~0.7	0.2	50
PSLC10-3L		0.3	60
PSLC12-3L		0.4	
PSLC16-3L		0.7	80
PSLC20-3L		0.9	
PSLC08-5L	0.5~0.7	0.4	90
PSLC10-5L		0.5	100
PSLC12-5L		0.6	
PSLC16-5L		1.2	140
PSLC20-5L		1.5	

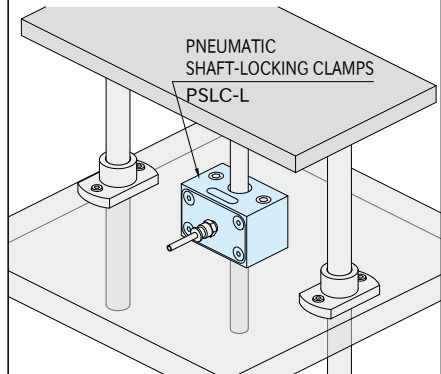


Application Example

- Three-way valves are recommended.
- Use bushings or bearings with the unit as needed.

Sliding shaft locking

Lock for position adjustment



Sliding shaft locking

Slip prevention from backlash of linear slides

