

CP722

ONE-TOUCH FLEX LOCATOR CLAMPERS



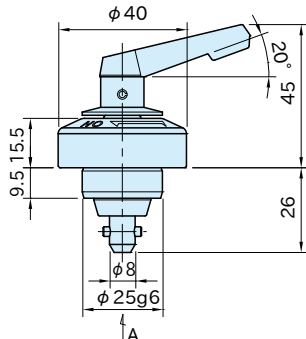
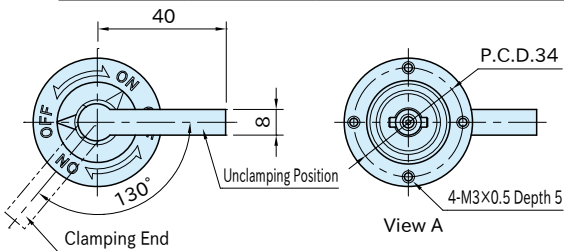
Body / Shank	Tapered Pin	Handle	Pin
SCM440 steel Black Oxide Finished	SCM440 Nitrocarburized	ZDC1 die-cast zinc Silver-gray painted	SUS303 stainless steel



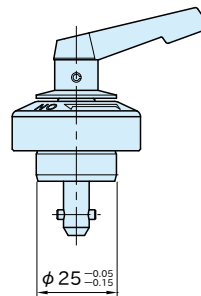
CP722-0840R-06



CP722-0840R-06N



CP722-0840R-06



CP722-0840R-06N

Part Number	Tapered Pin	Clamping Force (N)	Lifting Force (N)*	Weight (g)	One-Touch Flex Locator Bushing
CP722-0840R-06	With	600	100	220	CP727-0840R
CP722-0840R-06N	Without	700	—	215	

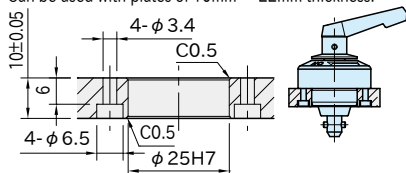
*) The lifting force is the power of the inner spring of the body to push up the movable tapered pin.

For maximum loading weight and locating repeatability, see How To Use ONE-TOUCH FLEX LOCATORS (Handle / Knob).

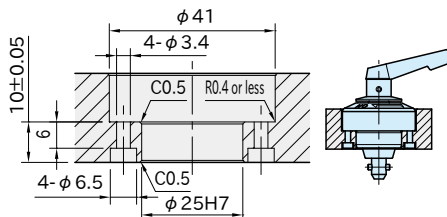
How To Use

Mounting Hole Dimension

Can be used with plates of 10mm ~ 22mm thickness.



Installation on 10mm-thick Plate



Installation on 10mm-22mm Thick Plate
Drill a counterbored hole.

Reference

How To Use ONE-TOUCH FLEX LOCATORS (Handle / Knob)

Supplied With

4 of M3×0.5-10L Hex Socket-Head Cap Screw